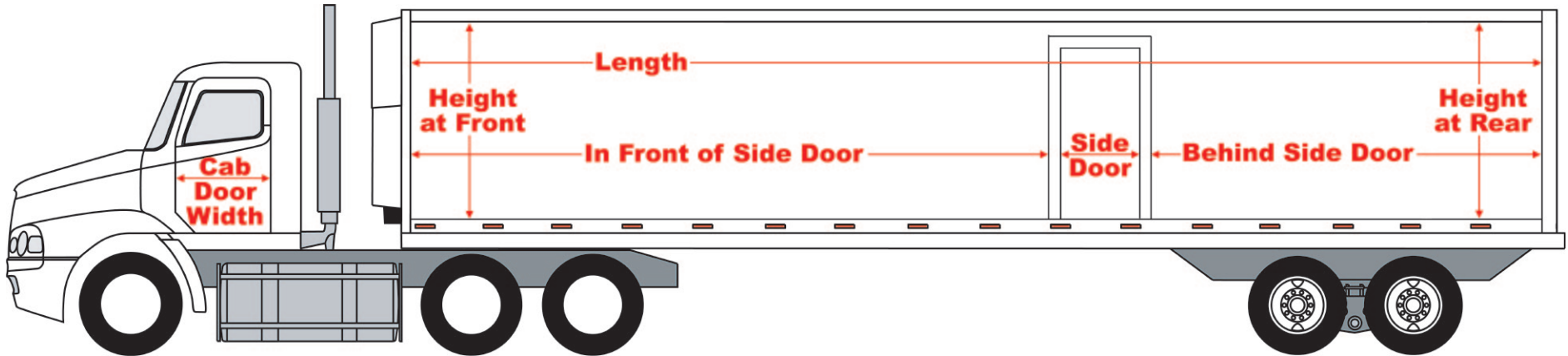


# Tractor Trailer Measurement Sheet

Company Name \_\_\_\_\_ Location \_\_\_\_\_ Unit # \_\_\_\_\_

Contact Name \_\_\_\_\_ Phone # \_\_\_\_\_ Date \_\_\_\_\_



## Trailer Side Measurements

Side Length \_\_\_\_\_  
 Side Height at Front \_\_\_\_\_  
 Side Height at Rear \_\_\_\_\_  
 Side Door on which side? \_\_\_\_\_  
 In Front of Side Door \_\_\_\_\_  
 Side Door \_\_\_\_\_  
 Behind Side Door \_\_\_\_\_  
 Cab Door Width \_\_\_\_\_

## Trailer Side surface is: (Circle One)

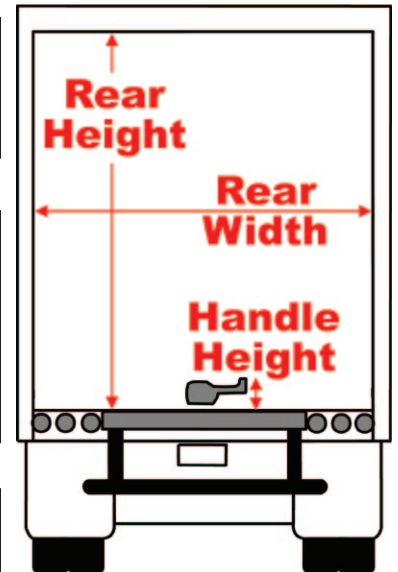
Smooth with Rivets      Flat without Rivets  
 Skip Corrugated      Tight Corrugated

## Trailer Rear Measurements

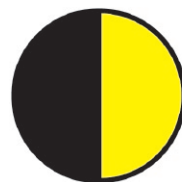
Rear Width \_\_\_\_\_  
 Rear Height \_\_\_\_\_  
 Rear Handle Height \_\_\_\_\_

## Trailer Rear Door is: (Circle One)

Roll-up      Swing



Phone: 45; -466-2616  
 Fax: ""45; -466-2625  
 email: sales@nitebright.com  
 web: www.nitebright.com



# NITE-BRIGHT SIGNS